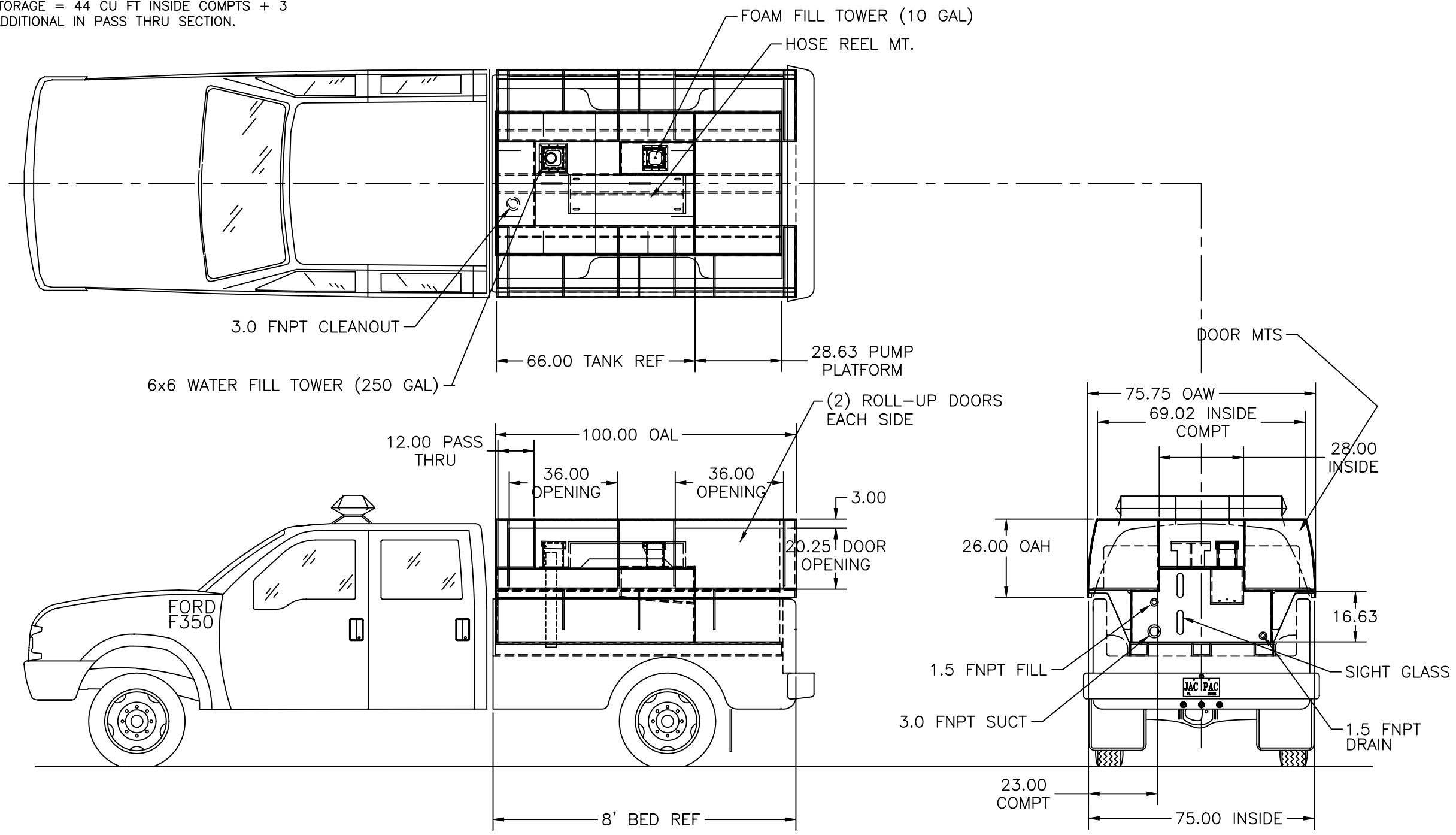


NOTES:

1. DIM'S MARKED WITH * ARE DOOR OPENINGS.
2. DOORS MUST BE ORDERED $\frac{3}{8}$ " NARROWER THAN THE DOOR OPENING TO ALLOW FOR THERMAL CONTRACTION OF THE 'POLYPRENE' MAT'L.
3. ADD ON HARDWARE SUCH AS DECORATIVE DIAMOND PLATE MUST HAVE OVERSIZED MOUNTING HOLES TO ALLOW FOR THERMAL EXPANSION OF THE 'POLYPRENE' MAT'L.
4. TOTAL STORAGE = 44 CU FT INSIDE COMPTS + 3 CU FT ADDITIONAL IN PASS THRU SECTION.

RevNo	Revision note	Date	Signature	Checked



THIS DRAWING IS THE EXCLUSIVE PROPERTY OF PRO POLY OF AMERICA, INC./POLYBILT ISSUED IN STRICT CONFIDENCE AND SHALL NOT BE DISCLOSED IN WHOLE OR IN PART TO ANY OTHER PARTY AND THAT IT SHALL NOT BE COPIED IN ANY FORM WITHOUT THE PRIOR WRITTEN PERMISSION OF PRO POLY OF AMERICA, INC./POLYBILT

Note: Tank will not go into production until customer has signed and dated final drawing.

Customer Acceptance Signature Required

Customer	Signature	Date
Engineering By	Signature	Date
Checked By	Signature	Date



1821 N.W. 57th Street
Ocala, Florida 34475
Ph.(352)629-1414
Fax(352)629-6049

Unless otherwise specified, dimensions are in inches and tolerance is $\pm 1/8$ "

Foam Capacity	10 GAL
Water Capacity	250 GAL
Total Capacity	260 GAL
Drawn by	N WALLASK
Date	2/28/06

Scale	YES
P.O. No.	
Customer	POLYBILT JAKPAK
	250 GAL
	8' BED

Finish	WHITE
Tank No.	
Dwg. No.	JAKPAK 260
Sheet	1 OF 1
Rev.	B